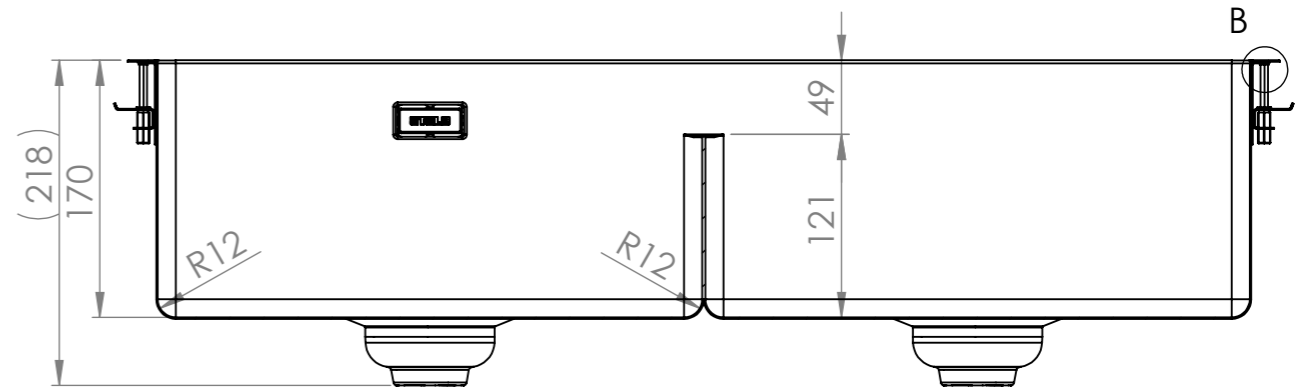
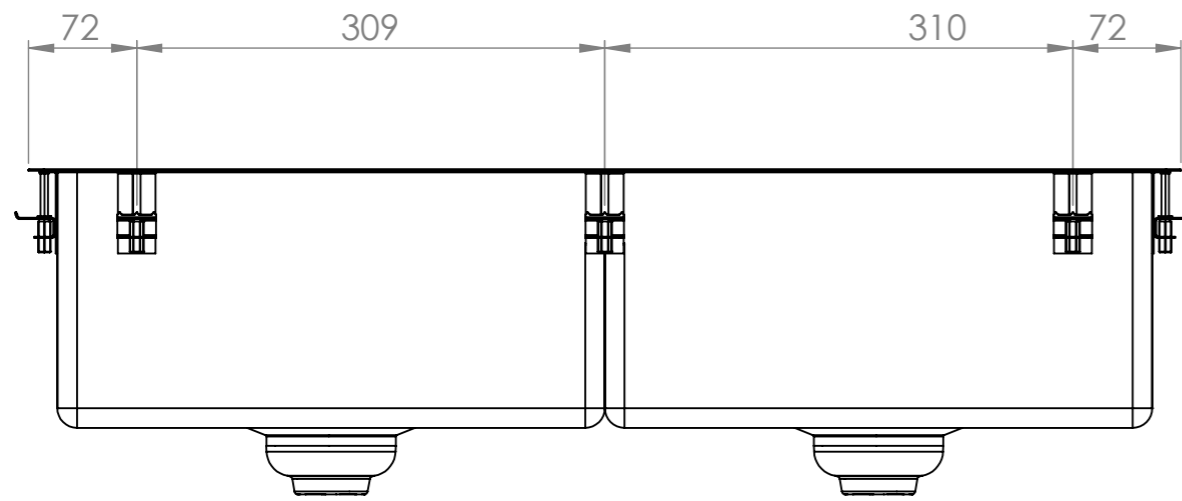
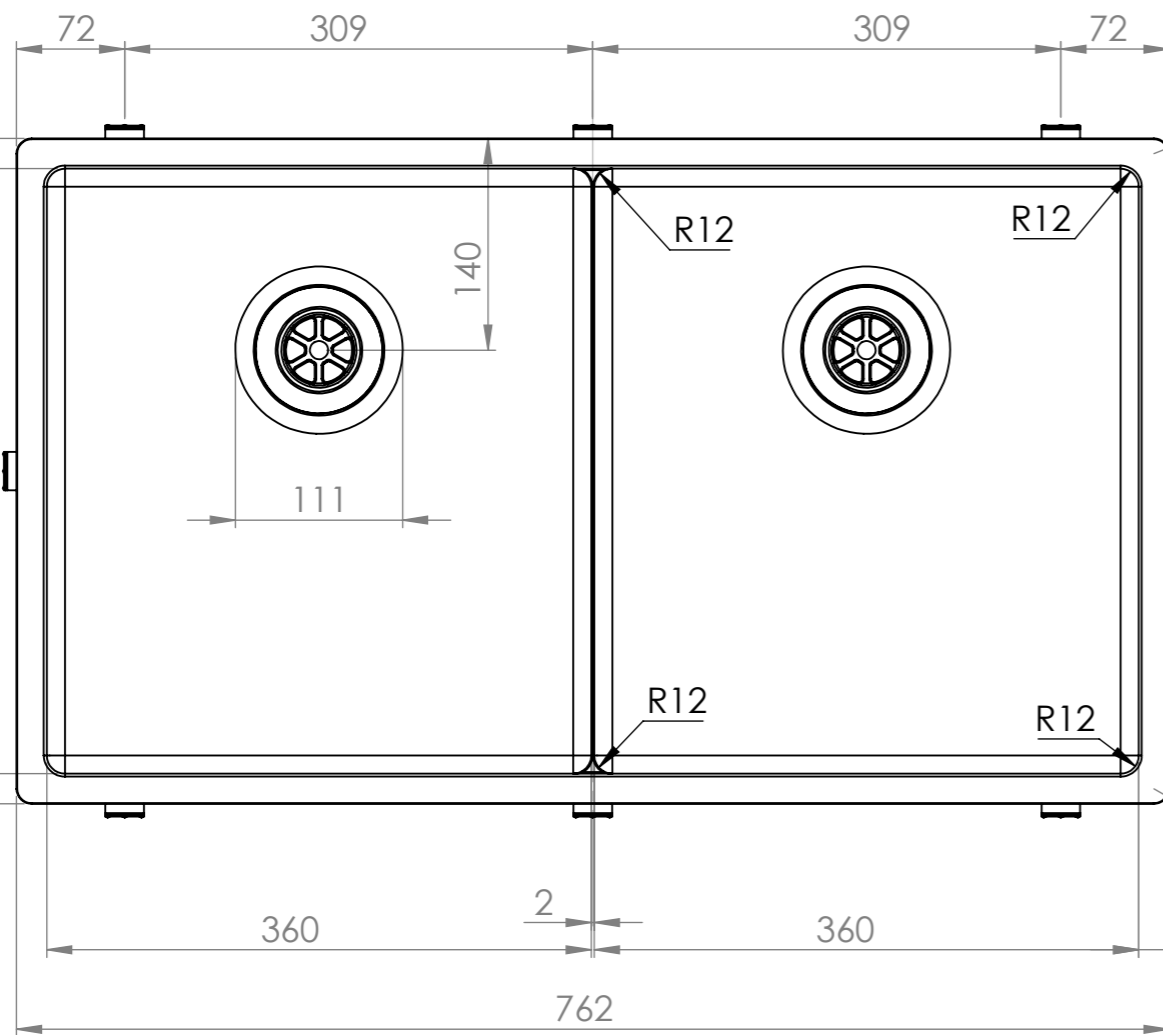


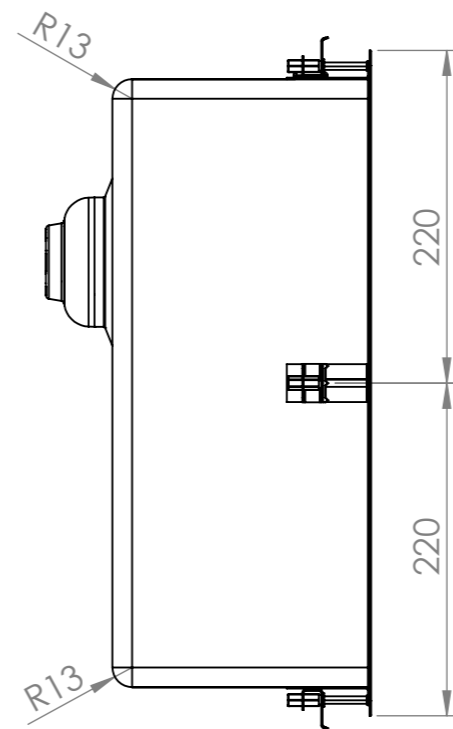
MAIN DIMENSIONS



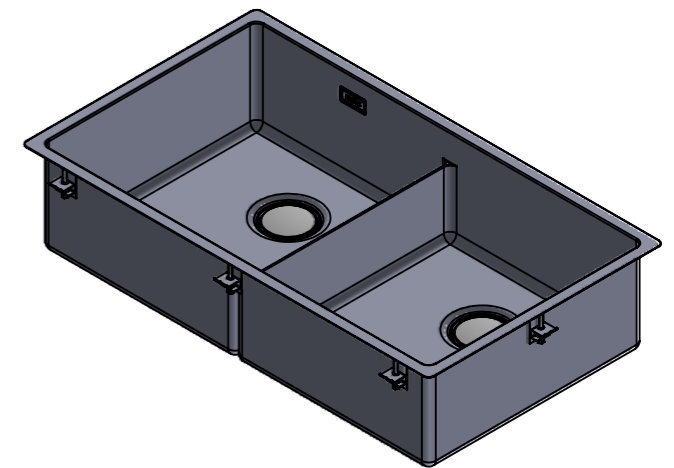
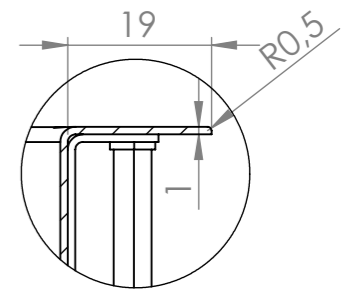
SECTION A-A



Back side fixing points



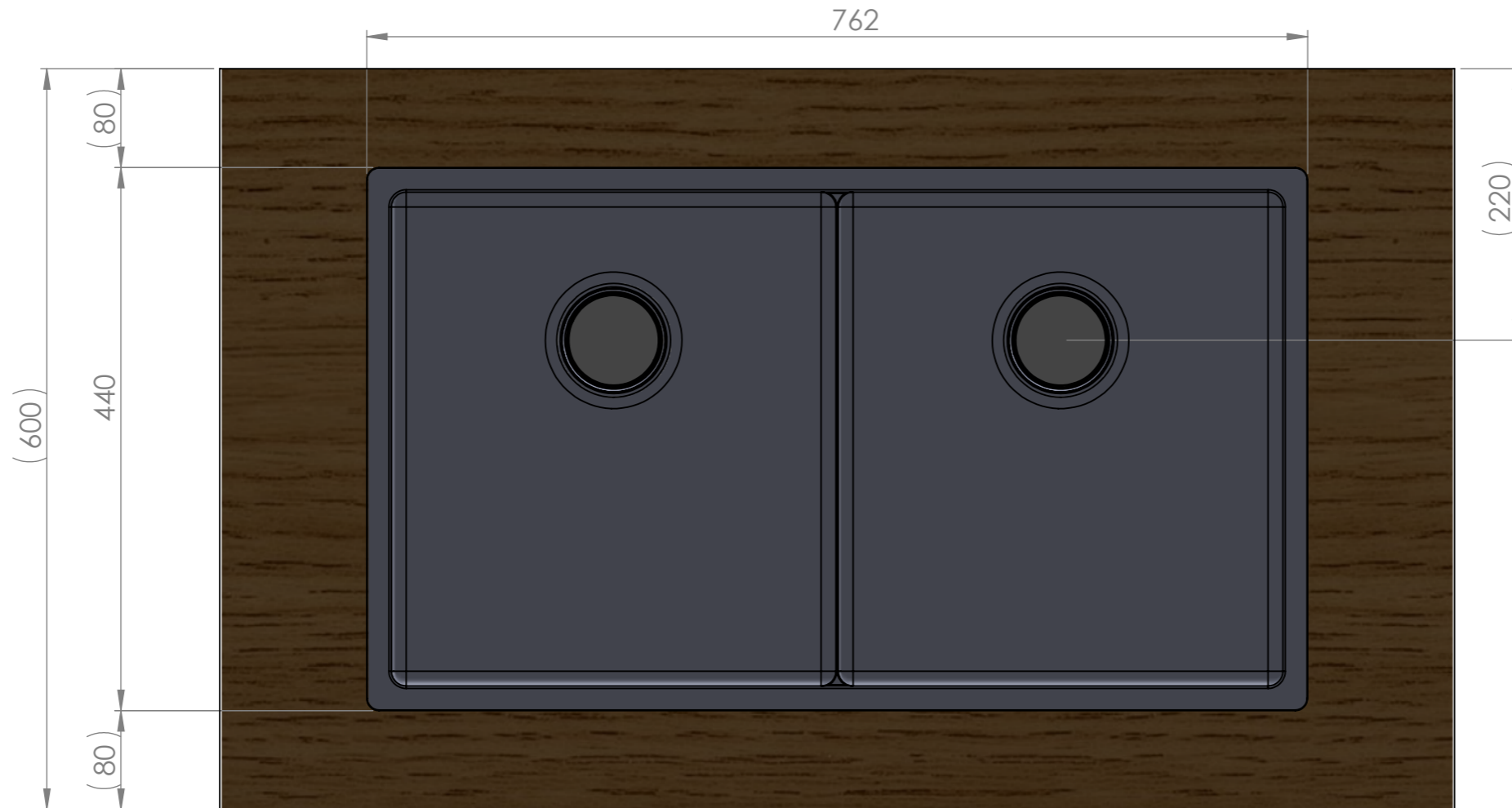
Mono sanded edge
DETAIL B
SCALE 1 : 1



| | | | | | |
|--|------|-------|----------------------|----------------|--------------|
| | Mass | kg | General tolerance | Designed by | Date |
| | Size | Scale | | Item | VS |
| | A3 | 1:5 | Description | Approved by | Date |
| | | | ULTRA-36-36 | VS | 10.05.2022 |
| | | | Technical Data Sheet | Drawing number | Sheet/sheets |
| | | | | 19466 | 1/6 |
| | | | | | Rev |
| | | | | | A |

WORKTOP ASSEMBLY

| | | |
|--------------------|------|-------------|
| Change description | Date | Designed by |
|--------------------|------|-------------|



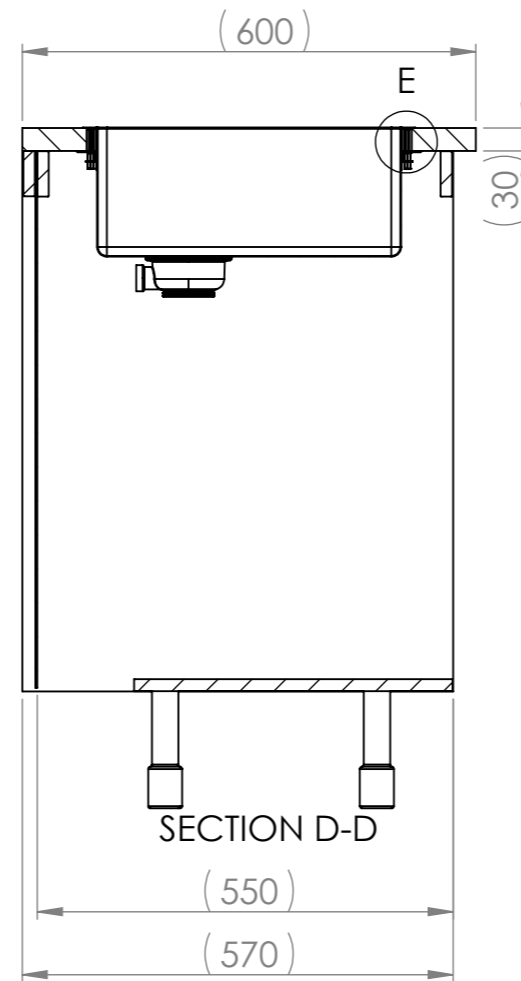
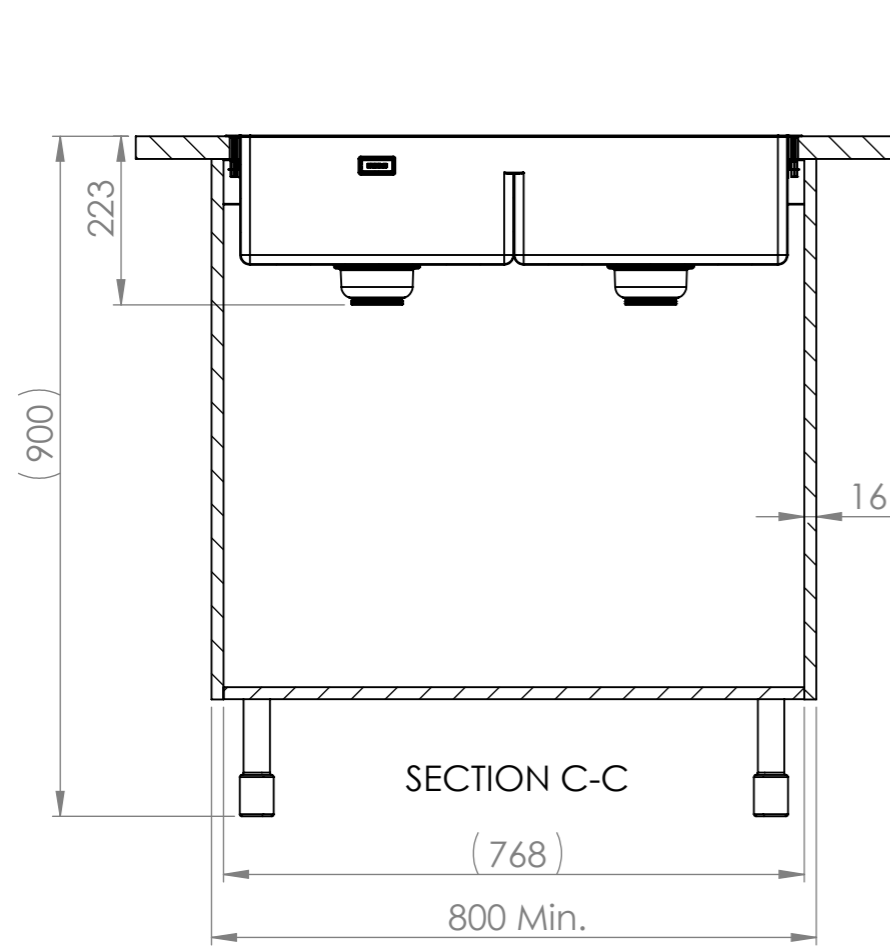
| | | | | | |
|---------------|------|-------|----------------------|----------------|--------------|
| | Mass | kg | General tolerance | Designed by | Date |
| | Size | Scale | Item | VS | 27.04.2022 |
| Member of | A3 | 1:5 | Description | Approved by | Date |
| | | | ULTRA-36-36 | VS | 10.05.2022 |
| | | | Technical Data Sheet | Drawing number | Sheet/sheets |
| | | | 19466 | 2/6 | Rev |
| | | | | A | |

SPACE REQUIREMENTS

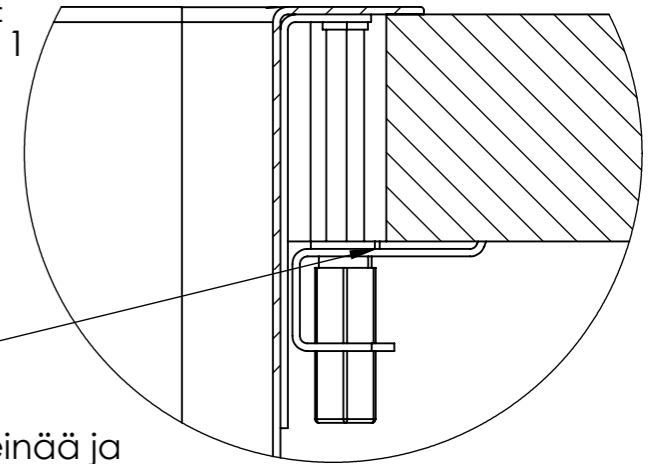
Change description

Date

Designed by



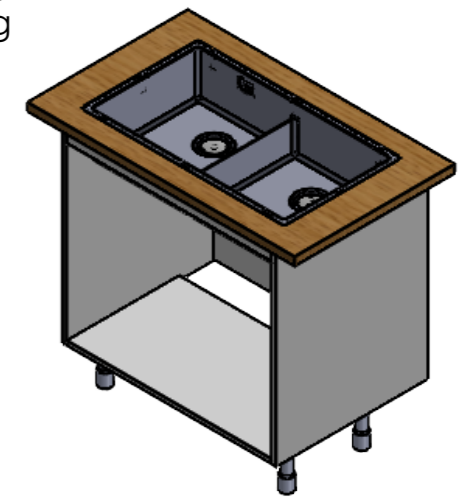
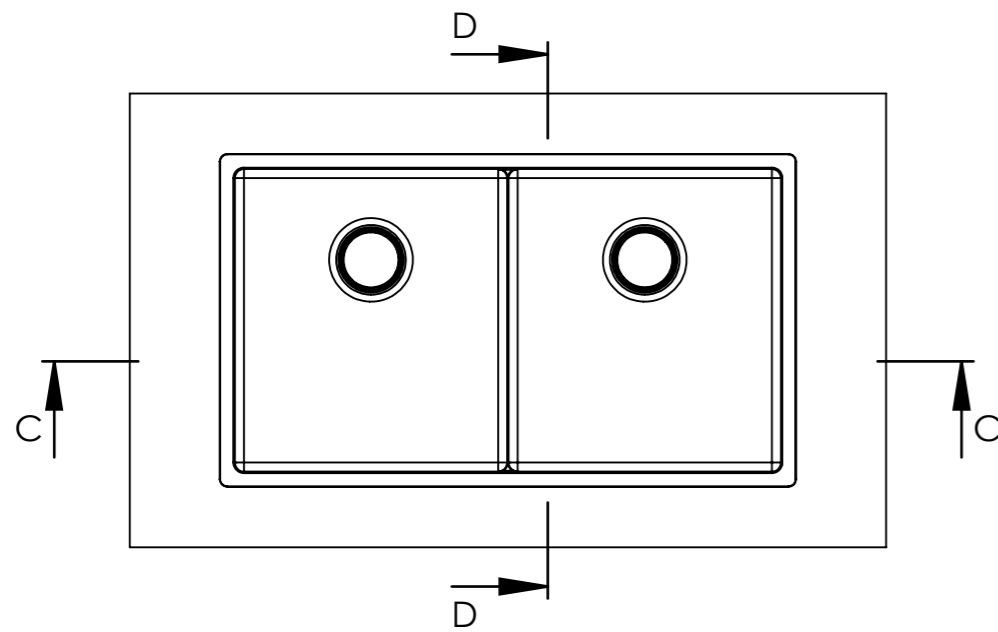
DETAIL E
SCALE 1 : 1



Huom!
Tarvittaessa kaapin väliseinää ja etu/takalista lovetettava kiinnikkeitä varten ja pesuallas on kiinnitettävä ennen työtason asennusta.

Obs!
Vid behov måste en inskärning för höfastena göras i skåpets mellanvägg och förbindningslist och diskbänken måste fästas innan du monterar bänkskivan.

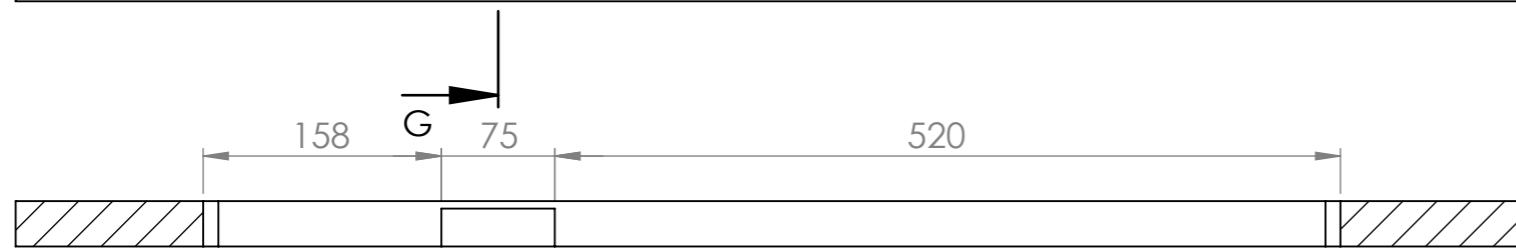
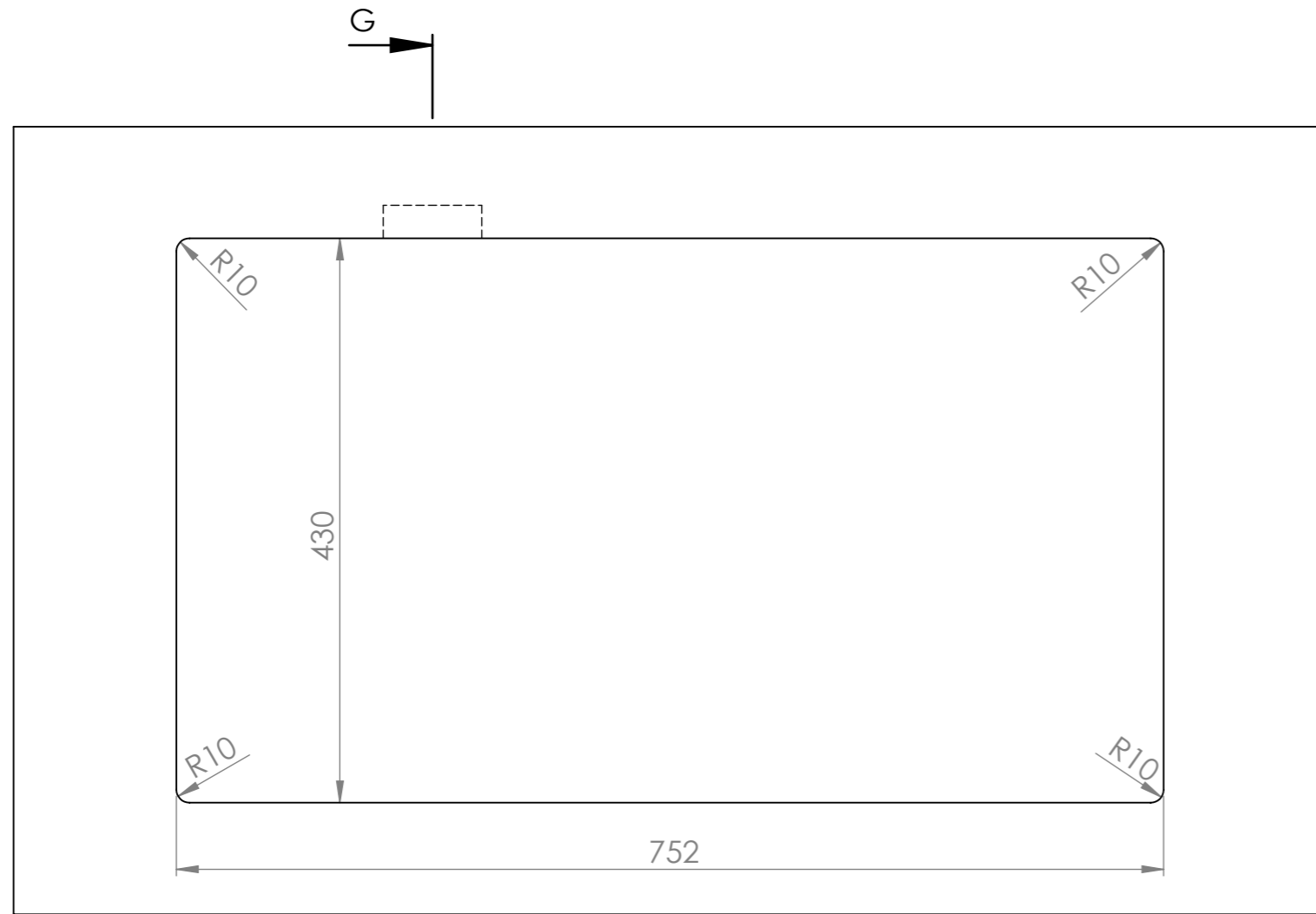
Notice!
The partition walls and front/back list of the cupboard must be notched for the sink mountings when needed and the sink must be fastened before installing the worktop.



| | | | | | |
|-----------------------------|------|-------|-------------------|----------------|--------------|
| | Mass | kg | General tolerance | Designed by | Date |
| | Size | Scale | Item | VS | 27.04.2022 |
| | A3 | 1:10 | | Approved by | Date |
| | | | | VS | 10.05.2022 |
| | | | Description | Drawing number | Sheet/sheets |
| | | | ULTRA-36-36 | 19466 | 3/6 |
| Technical Data Sheet | | | | Rev | A |

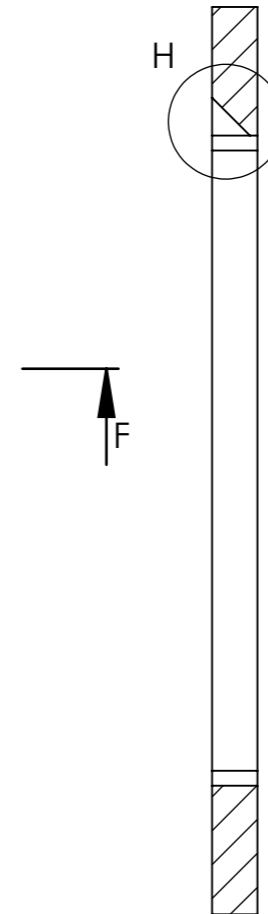
| | | | | | | | |
|--------------------|--|--|--|--|------|-------------|--|
| Change description | | | | | Date | Designed by | |
|--------------------|--|--|--|--|------|-------------|--|

CUT-OUT



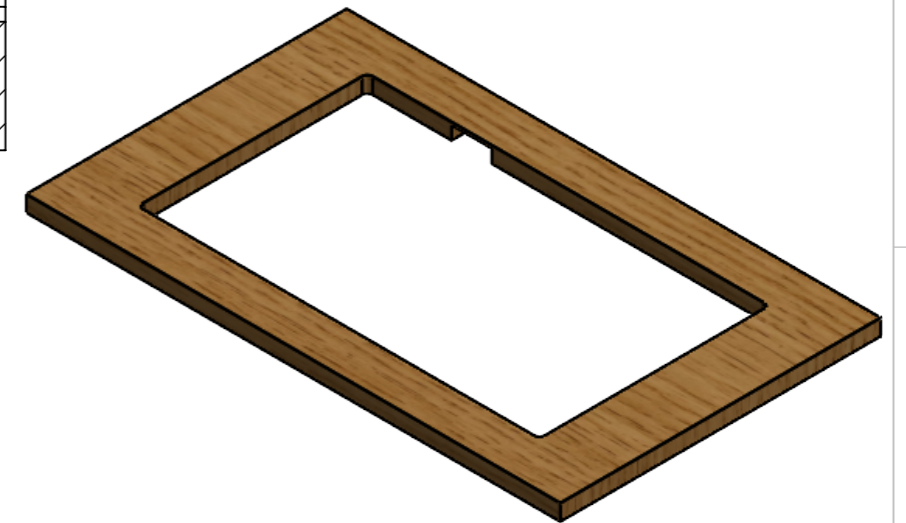
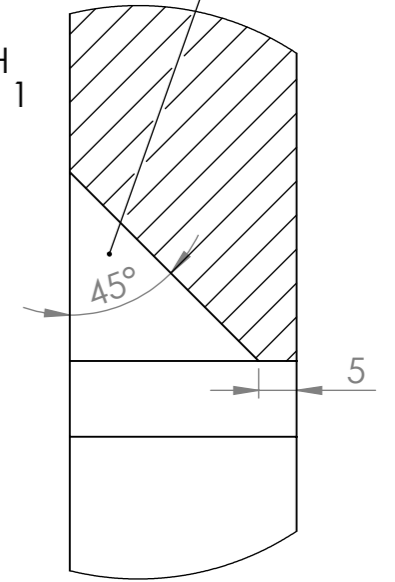
SECTION F-F

SECTION G-G



Cut-out for overflow

DETAIL H
SCALE 1:1



| | | | | | |
|---------------|----------------------|-------|-------------------|-------------|--------------|
| | Mass | kg | General tolerance | Designed by | Date |
| | Size | Scale | Item | VS | 27.04.2022 |
| Member of | A3 | 1:5 | Description | Approved by | Date |
| | | | ULTRA-36-36 | VS | 10.05.2022 |
| | Technical Data Sheet | | Drawing number | 19466 | Sheet/sheets |
| | | | | Rev | A |

